

# General Specifications

Models FA4A, FA4V  
Distributor (Non-isolated)

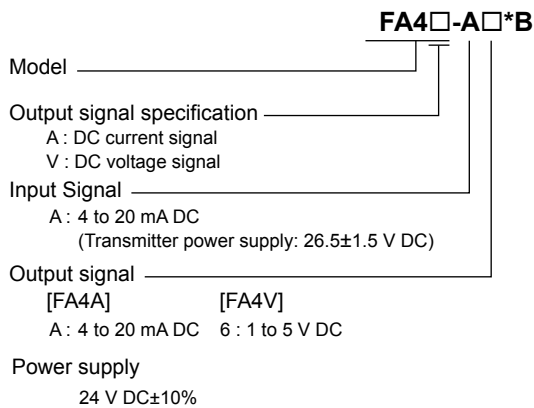
**JUXTA**

GS 77J08A04-01E

## ■ General

The FA4A / FA4V is a compact, front terminal connection type distributor that is used in combination with a two-wire transmitter to convert the transmitter's 4 to 20 mA DC signals into DC current or DC voltage signals.

## ■ Model and Suffix Codes



## ■ Ordering Information

Specify the following when ordering.

- Model and suffix codes :e.g. FA4V-A6\*B

## ■ Input/Output Specifications

Input signal: 4 to 20 mA DC signal from two-wire transmitter

Input resistance: 250 Ω

Maximum allowable input: 40 mA DC

Transmitter power supply: 26.5±1.5 V DC  
(provided with a current limiter to keep the current between 25 and 35 mA)

Allowable conductor resistance (RL):  
Up to [(20 –transmitter's minimum operating voltage) V/0.02 A] Ω

Output signal: 4 to 20 mA DC or 1 to 5 V DC

Allowable load resistance:

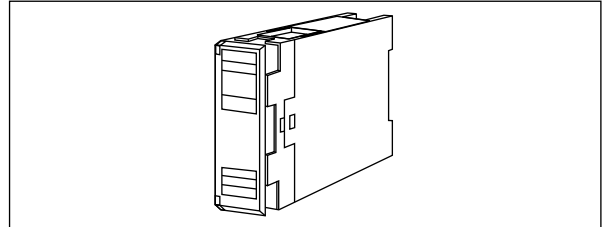
DC current output	Allowable load resistance	DC voltage output	Allowable load resistance
4 to 20 mA	750 Ω or less	1 to 5 V	250 kΩ or more

## ■ Standard Performance

Accuracy rating: ±0.1% of span

Insulation resistance: 100 MΩ or more at 500 V DC between (input and output) and power supply.

Withstand voltage: 500 V AC/min. between (input and output) and power supply.



## ■ Environmental Conditions

Operating temperature range: 0 to 50°C

Operating humidity range: 5 to 90% RH (no condensation)

Power supply voltage: 24 V DC ±10% (percentage ripple is 5%p-p or less)

Effect of power supply voltage fluctuations: ±0.1% of span or less for the fluctuation within the operating range of power supply voltage specification.

Effect of ambient temperature change: ±0.2% of span or less for a temperature change of 10°C.

Current consumption: 24 V DC 65 mA (FA4A), 65mA (FA4V)

## ■ Mounting and Dimensions

Material: ABS resin (Case body)

Mounting method: Rack, Wall or DIN rail mounting

Connection method: M4 screw terminals

External dimensions: 72 × 24 × 127 mm (H x W x D)

Weight: Approx.130 g

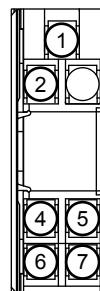
## ■ Standard Accessories

Tag number label: 1

Mounting block: 2

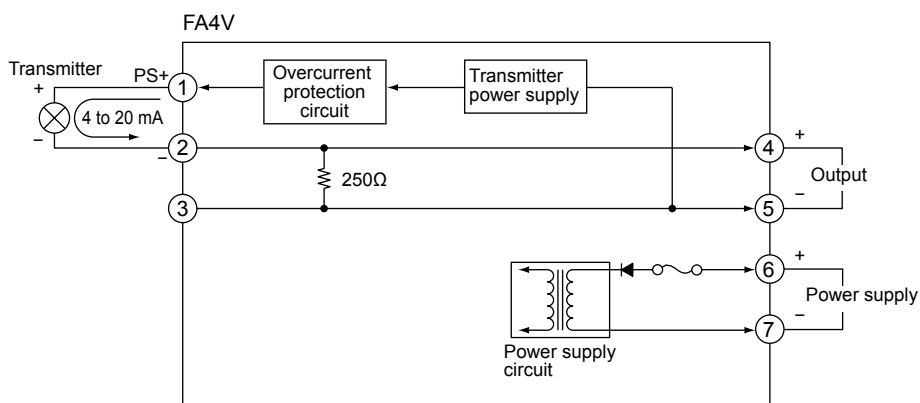
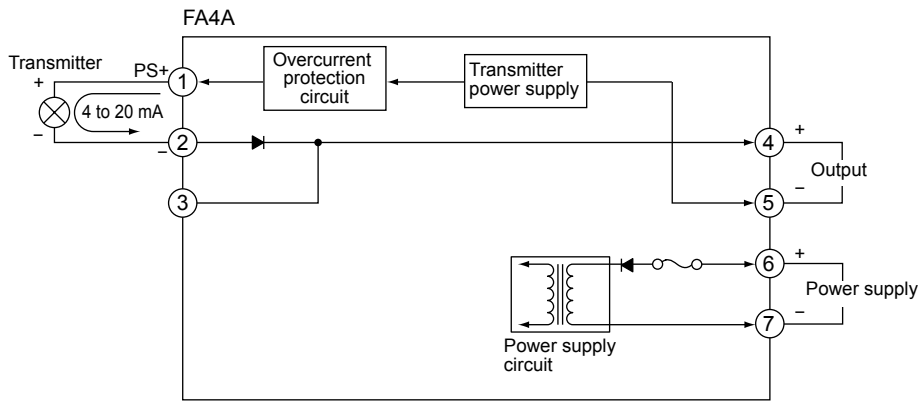
Mounting screw: M4 screw x 2

## ■ Terminal Assignments



1	Input	(PS+)
2	Input	(-)
4	Output	(+)
5	Output	(-)
6	Supply	(+)
7	Supply	(-)

## ■ Block Diagram



## ■ External Dimensions

